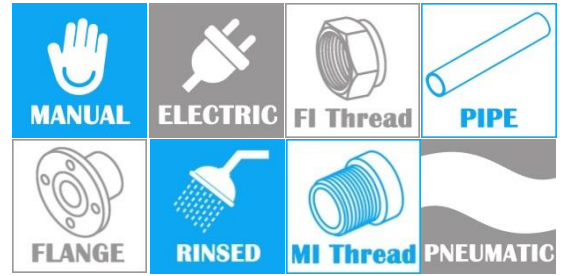
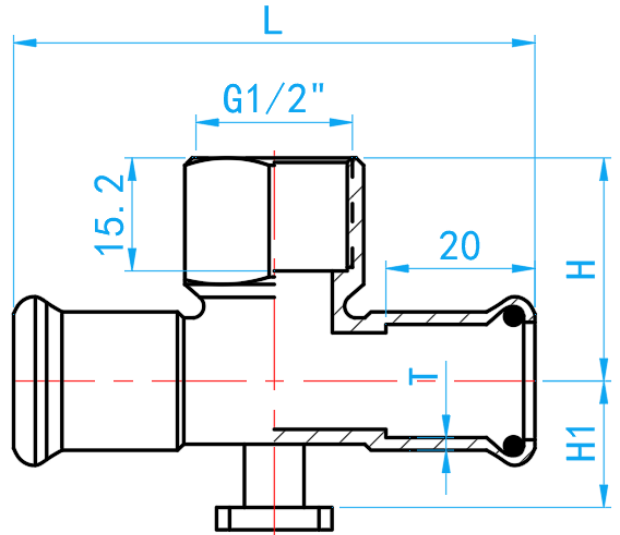


# STAINLESS STEEL 304 PRESS FIT FITTINGS (M PROFILE)

COMPLY WITH BSEN1254-2: 1998  
AS 3688: 2005  
AS/NZS 4020: 2005  
SS 375: 2015  
SS 270: 2015



## Wall Plate FI Tee



CROSS SECTIONAL VIEW

### DIMENSIONS

SKU	SIZE (mm x mm x inch)	L (mm)	H (mm)	H1 (mm)	T (mm)	WEIGHT (kg)	PCS/CTN
SSPFNFT015	15×15×1/2" BSP	70	30	20	1.5	0.087	140